

### 11.4.1 TECHNICAL DATA

- MAX OPERATING PRESSURE (PS) of oil:** 350 bar
- MAX OPERATING PRESSURE (PS) of nitrogen:** 350 bar
- PRESSURE TEST (PT):** 1.43 x PS
- MIN. SUPPLY PRESSURE NITROGEN:** 5 bar
- WORKING TEMPERATURE:** -20 ÷ +80 °C
- MEDIUM:** Nitrogen
- PRESSURE GAUGE RANGE:** 0 ÷ 400 bar
- FLOW RATE OF THE HYDRAULIC PUMP:** 9 l/min
- CAPACITY OIL TANK:** 70 l
- SIDE CONNECTION BOTTLE:** W 21.7 X 14 (Other upon request)
- ACCUMULATOR SIDE CONNECTION:** 5/8" UNF (Other upon request)
- HOSE LENGTH:** 6 mt.
- THREE-PHASE MOTOR:** 380 V - 50Hz
- MAX. P.:** 5.5 Kw
- SAFETY TYPE:** IP 55
- ELECTRICAL CONNECTION:** CEE plug, 5-pole, 16 Amp 400V
- CABLE LENGTH:** 10 mt.
- WEIGHT:** Kg. 280

### 11.4.2 DESCRIPTION

Nitrogen preloading carts are useful in many circumstances and have many advantages compared to simple gas bottle, which are usually loaded at 200 bar. Different models of carts can operate to enhance pressure and flow of standard gas bottles, or to directly generate nitrogen for loading purpose or for storage.

Major advantages are:

- Use of the whole gas bottle content even when preloading pressure is higher than bottle pressure
- Faster loading when there is high preloading pressure or big accumulator volume
- Possibility to generate nitrogen directly from air avoiding any purchase of bottles

Other size on request



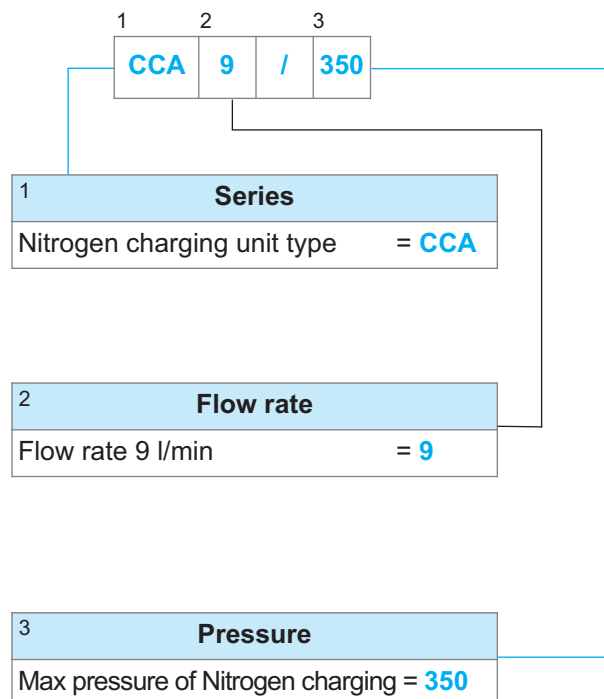
11.4a

### 11.4.3 ACCESSORIES

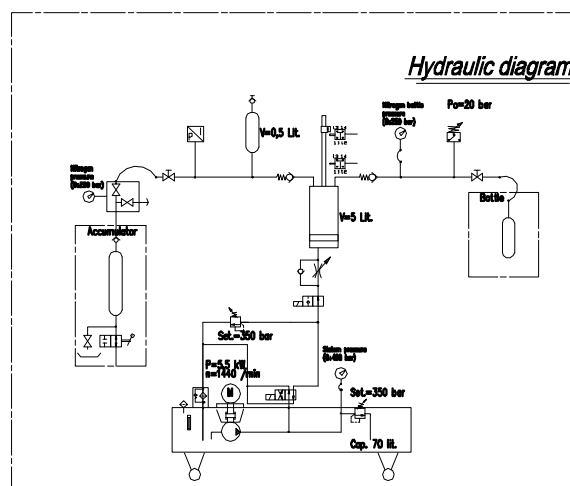
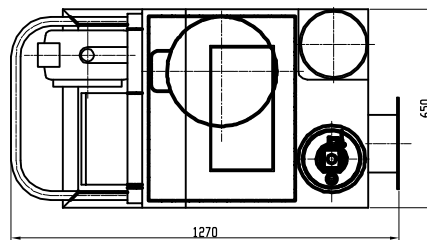
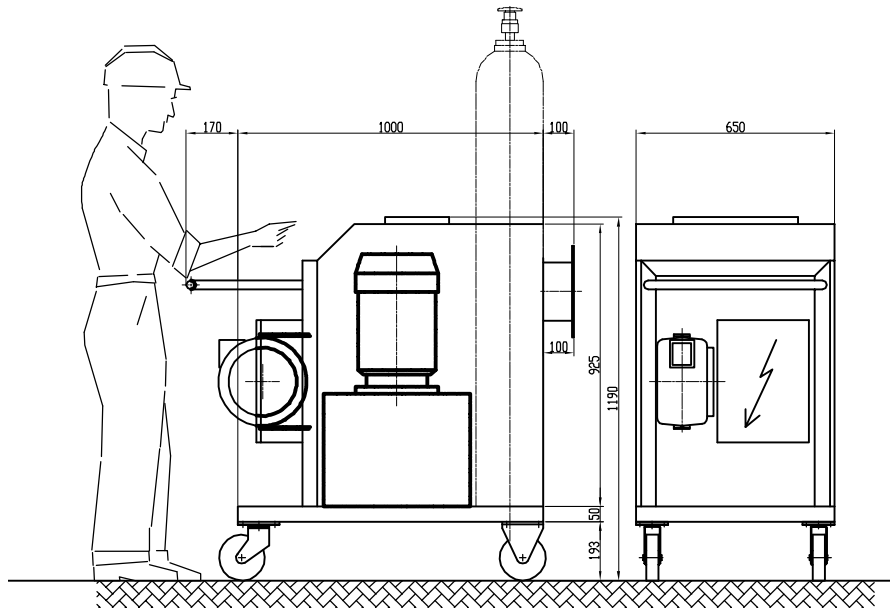
Alternatively, you can use, instead of pre-compressed nitrogen stored in bottles, a trolley which produces nitrogen from compressed air at 8 ÷ 10 bar.

For more information and / or requests, please contact our technical service.

### 11.4.4 ORDER CODE



11.4.5 DIMENSIONS AND HYDRAULIC DIAPHRAGM



11.4b

Reproduction Is Forbidden.  
In The Spirit Of Continuous Improvement, Our Products May Be Changed.